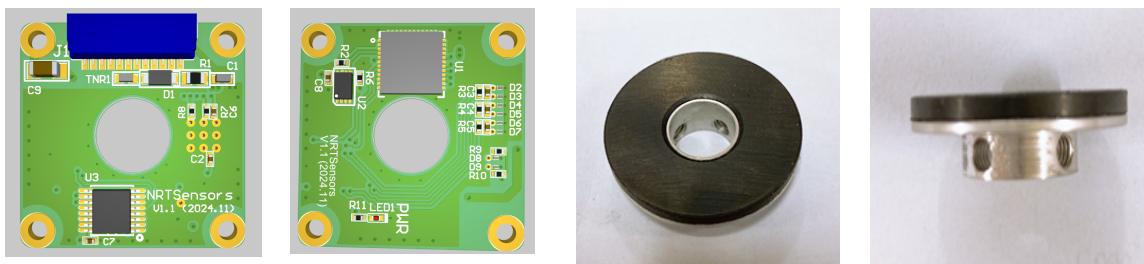


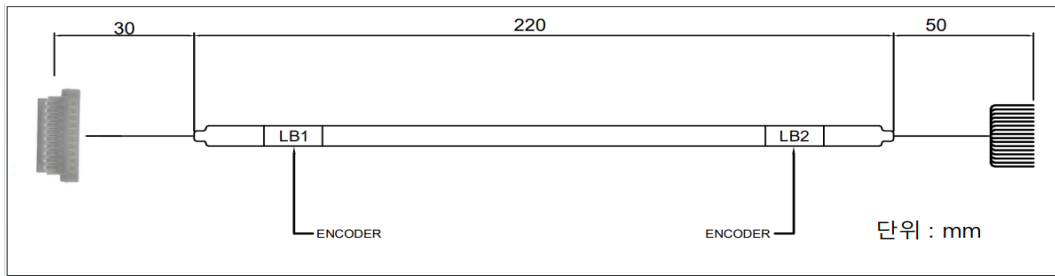
Step motor Encoder Specification			
Model	MS24-ER	Editor	-
Number	RMF-02500-24-F6-I2	Date	2025-3-2

1. Encoder Spec.



Type		Specification
Sensor Board	Sensor Type	Magnetic Angle Encoder
	Resolution	2,500PPR~
	Connector	12pin connector(ABZ) , 6pin connector(SPI)
	Type	Incremental (10pin+F.G)
	Size	PCB : 26mm x 26mm x 5.5mm
	I/O	ABZ differential
	Power	5V
Magnet	Polarity	16-pole Magnet
	Size	24pi (Height : 7mm)

2. Pin-map

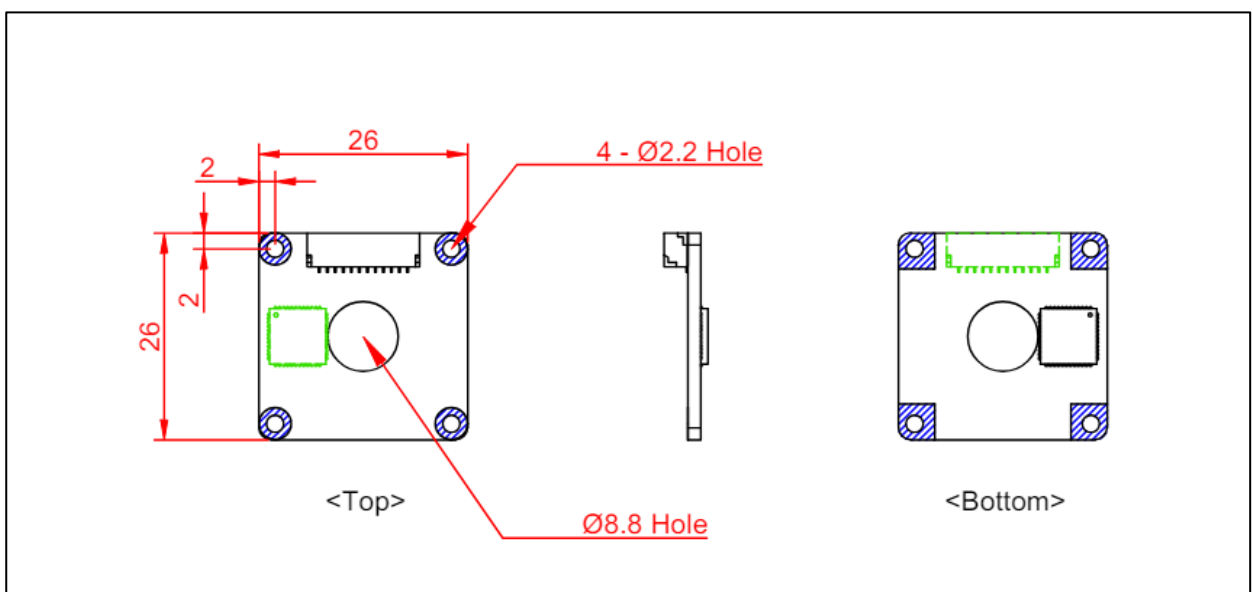


No	Name	Color
1	A	Orange
2	A-	Blue
3	B	Yellow
4	B-	Gray
5	Z	Purple
6	Z-	White
7	VDD	Red
8	GND	Green
9	Reserved	-
10	Reserved	-
11	Reserved	-
12	F.G	Mesh line

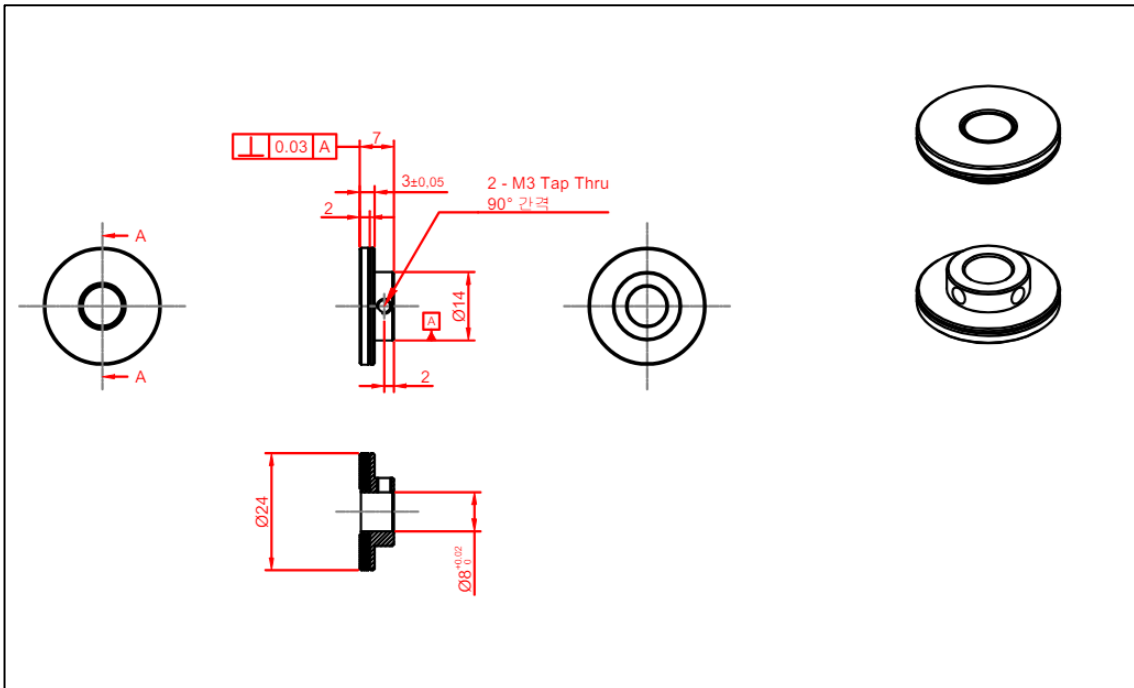
- Connector : SM12B-SRSS-TB(JST)
- Cable : SHR-12B-S (10pin+F.G / 1mm pitch / 28AWG), UL2835

3. Demension

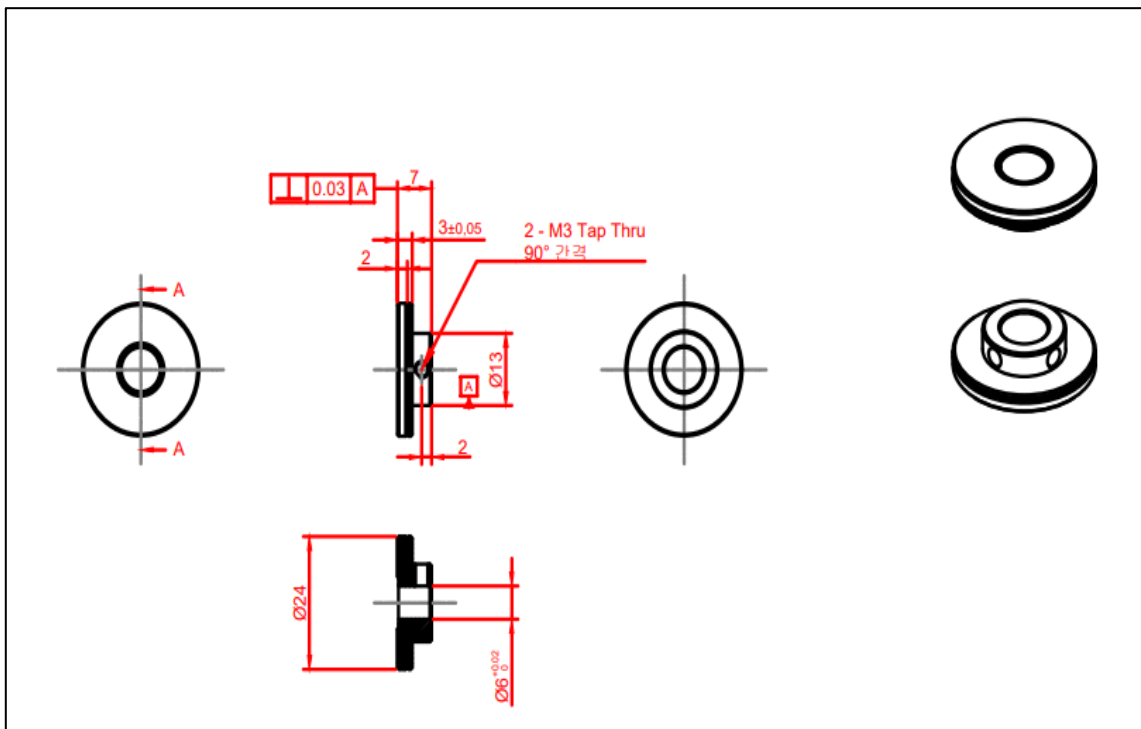
5-1)PCB



5-2) Magnet Bracket (24*8PI)



5-3) Magnet Bracket (24*6PI)



4. Delivery list

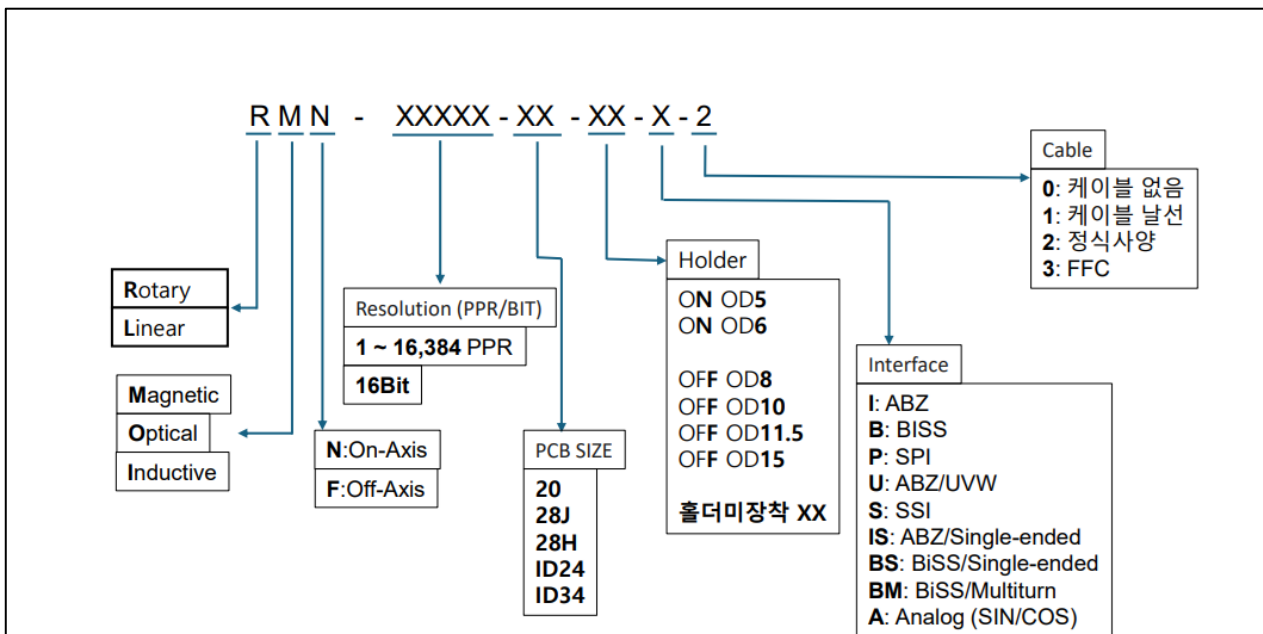
No	Name	Quantity
1	PCB	1ea
2	Magnet	1ea
3	12pin Cable	1ea
4	Magnet Bracket	1ea
5	Screw	M2.5X2.5 무두볼트 2ea M2x4 렌치볼트 4ea

5. Option

No	Name	Quantity
1	Cable	1ea
2	Magnet Bracket	1ea
3	Emulator	1ea
4		

- Emulator 별도구매

6. Naming Rules



7. History

Version	Date	History
Rev 1.0	2025.03.02	Initial release